



**Astro Pneumatic  
Tool Company**

372 Old US Highway 52 South  
Mount Airy, NC 27030

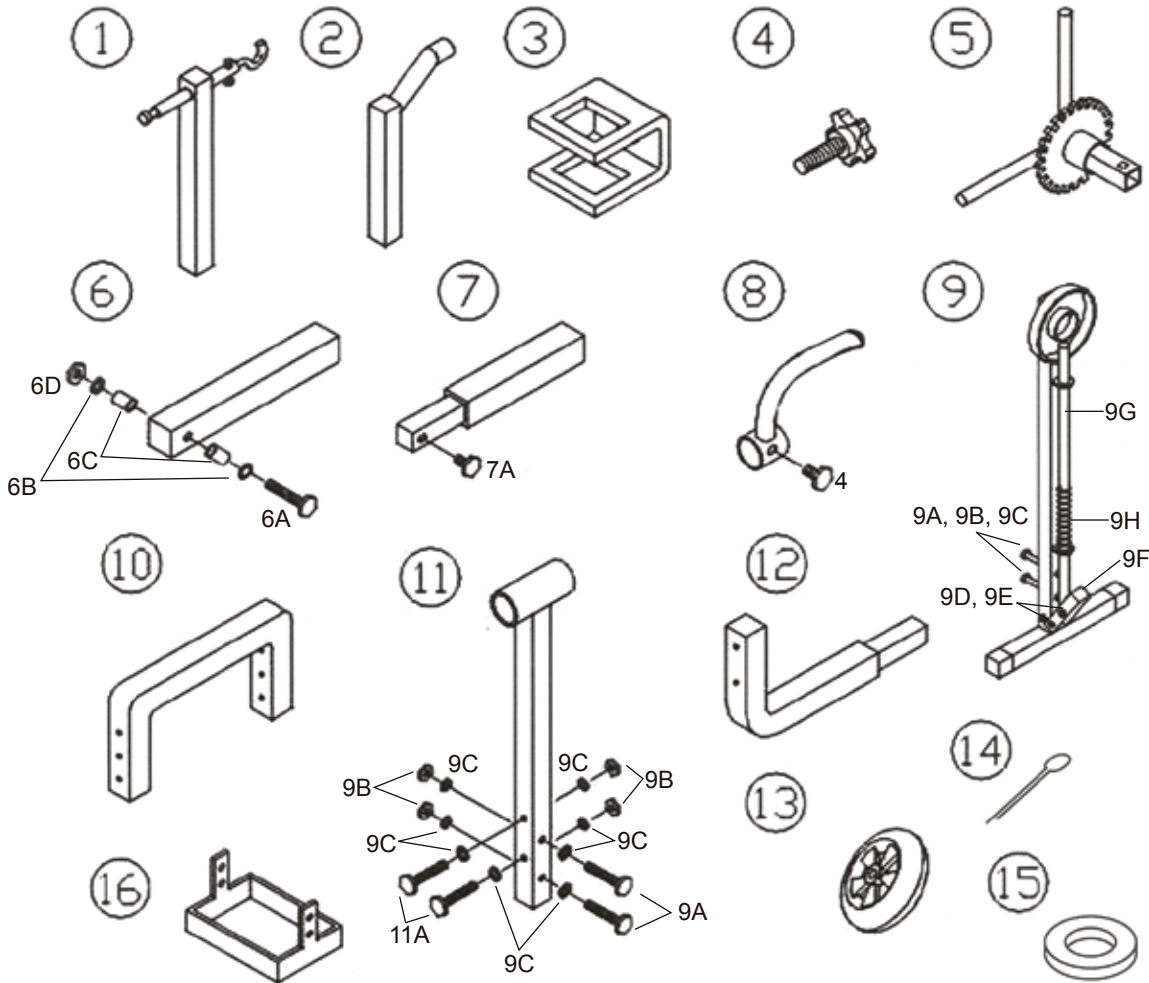
Model:  
**7300**

Product Type:

**Super Stand  
- Universal Rotating Parts Work Stand**

## PARTS BREAKDOWN

Call 1.800.221.9705 for questions concerning performance of the product or other inquiries.



## Parts List

Part No.	Description	Qty	Part No.	Description	Qty	Part No.	Description	Qty
7300-01	Suspend Arm	4	7300-7A	Bolt	1	7300-10	Fixed Pole	1
7300-02	Prop Arm	4	7300-08	Handle	1	7300-11	Rear Brace	1
7300-03	Buckle	8	7300-09	Front Brace	1	7300-11A	3 1/2" Rear Brace Bolt	2
7300-04	Knob	9	7300-9A	3" Bolt	4	7300-12	Wheel Pole	2
7300-05	Adjustable Gear Wheel	1	7300-9B	Nut	6	7300-13	Wheel	2
7300-06	Stand Pole	1	7300-9C	Washer	12	7300-14	Cotter Pin	2
7300-6A	Stand Bolt	1	7300-9D	Pedal Bolt	2	7300-15	Large Washer	2
7300-6B	Stand Washer	2	7300-9E	Pedal Nut	2	7300-16	Tray	1
7300-6C	Plastic Bushing	1	7300-9F	Pedal	1			
7300-6D	Stand Nut	1	7300-9G	Front Bar	1			
7300-07	Stand Extension Pole	1	7300-9H	Front Spring	1			